

PARTS LIST

[XV-525/521/421BK]
[XV-523GD]

* All printed circuit boards and its assemblies are not available as service parts.

XV-525BK/XV-421BK/XV-523GD

Area suffix

J ----- U.S.A.

XV-521BK

Area suffix

C ----- Canada

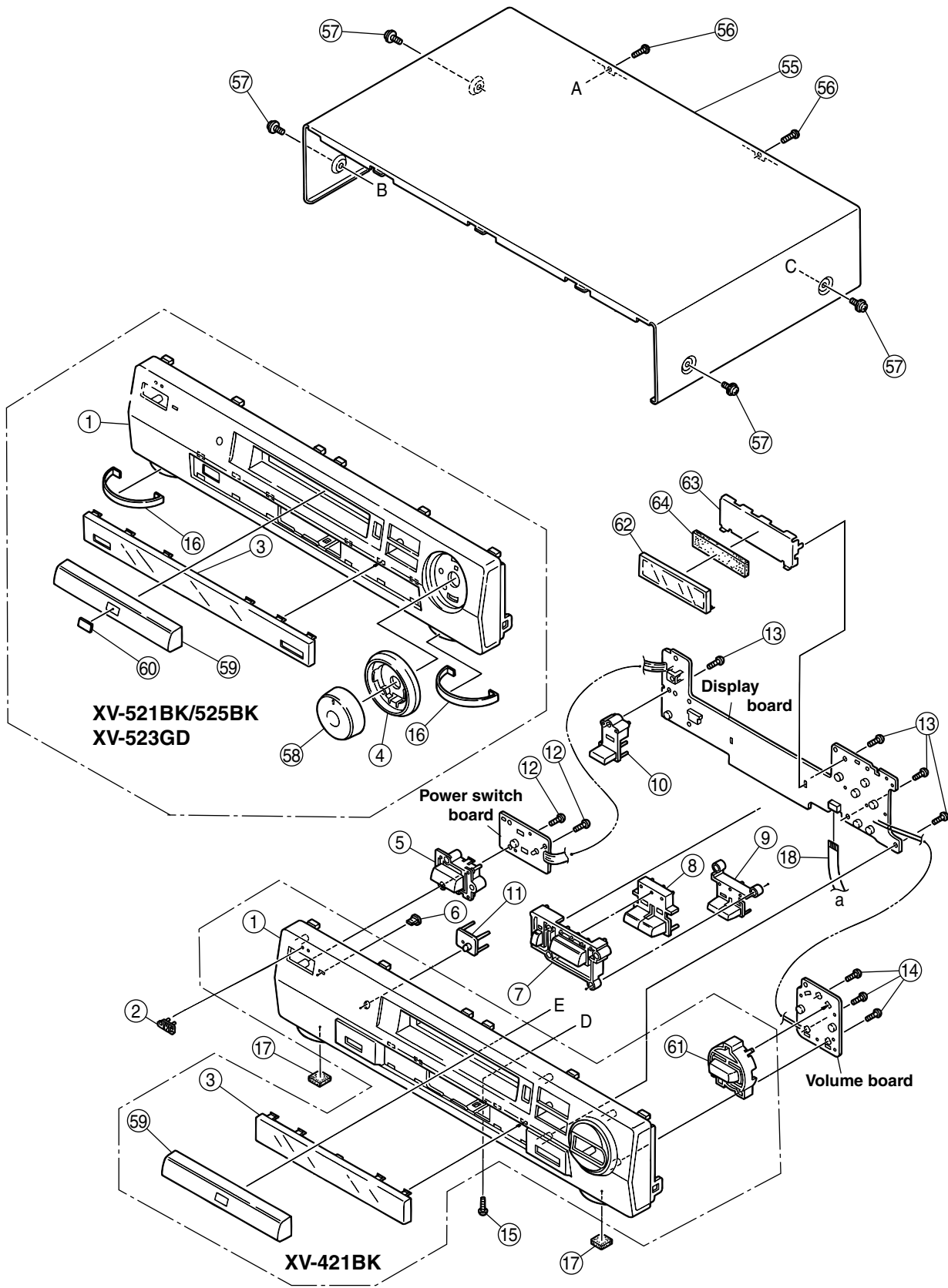
- Contents -

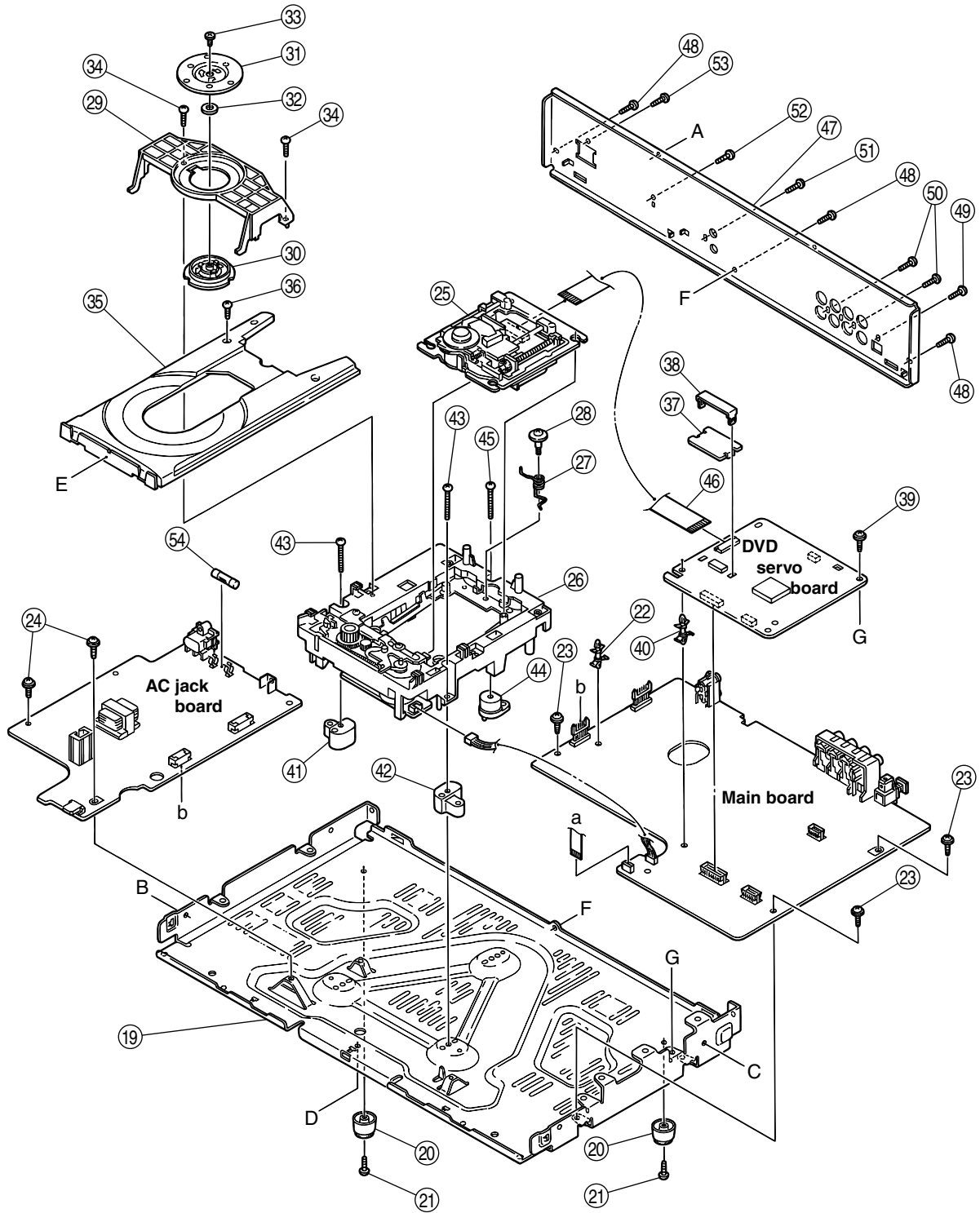
Exploded view of general assembly and parts list	3-2
DVD mechanism assembly and parts list	3-6
DVD loading base assembly and parts list	3-8
Electrical parts list	3-10
Packing materials and accessories parts list	3-20

Exploded view of general assembly and parts list

Block No.

M	1	M	M
---	---	---	---





■ Parts list (General assembly)

Block No. M1MM

△	Item	Parts number	Parts name	Q'ty	Description	Area
	1	LV10320-001A	FRONT PANEL	1	XV-521BK	
		LV10320-010A	FRONT PANEL	1	XV-421BK	
		LV10320-006A	FRONT PANEL	1	XV-525BK	
		LV10320-011A	FRONT PANEL	1	XV-523GD	
	2	VJD5429-001SS	JVC MARK	1		
	3	LV20630-001A	FRONT LENS(A)	1	XV-525BK/521BK	
		LV20630-003A	FRONT LENS(A)	1	XV-523GD	
		LV20707-001A	FRONT LENS(B)	1	XV-421BK	
	4	LV31163-001A	SHUTTLE RING	1	XV-525BK/521BK	
		LV31163-002A	SHUTTLE RING	1	XV-523GD	
	5	LV31655-004A	POWER BUTTON	1	XV-523GD	
		LV31655-001A	POWER BUTTON	1	XV-525BK/521BK/421BK	
	6	FSJD4001-002	INDICATOR	1	FOR POWER LED	
	7	LV31656-001A	PUSH BUTTON(A)	1	XV-525BK/521BK/421BK	
		LV31656-002A	PUSH BUTTON(A)	1	XV-523GD	
	8	LV31657-001A	PUSH BUTTON(B)	1	XV-525BK/521BK/421BK	
		LV31657-002A	PUSH BUTTON(B)	1	XV-523GD	
	9	LV31658-001A	PUSH BUTTON(C)	1	XV-525BK/521BK/421BK	
		LV31658-002A	PUSH BUTTON(C)	1	XV-523GD	
	10	LV31659-001A	PUSH BUTTON(3D)	1	3D PHONIC	
	11	E308744-003	REMOTE LENS	1	XV-523GD	
		E308744-002	REMOTE LENS	1	XV-525BK/521BK/421BK	
	12	QYSBSF2608Z	T.SCREW	2	BIND --> BRAZIE	
	13	QYSBSF2608Z	T.SCREW	4	BIND --> BRAZIE	
	14	QYSBSF2608Z	T.SCREW	3	BIND --> BRAZIE	
	15	QYSBSG3008M	T.SCREW	1	ONLY CENTER POS	
	16	LV31790-001A	FOOT PLATE	2	XV-525BK/521BK/523GD	
	17	E75896-001	FELT SPACER	2	FOR FOOT	
	18	QUQB12-0809AJ	FFC WIRE	1	FRONT --> AUDIO	
	19	LV10321-001A	CHASSIS BASE	1		
	20	E47227-008	FOOT	2	REAR	
	21	QYSBST3008Z	T.SCREW	2	FOR FOOT	
	22	LV41875-001A	FASTENER	1		
	23	QYSBSGG3006E	SCREW	3	SYSTEM + CHASSIS	
	24	QYSBSGG3006E	SCREW	2	POWER + CHASSIS	
	25	-----	DVD TRAVERSE MECHA	1		
	26	-----	DVD LOADING BASE	1		
	27	LV41842-001A	TORSION SPRING	1	FOR ELEVATOR BA	
	28	E406293-001	SPECIAL SCREW	1	FOR ELEVATOR BA	
	29	E26756-222SS	CD CLAMPER BASE	1		
	30	LV31675-002A	CLAMPER	1		
	31	LV31676-001A	YOKE	1		
	32	LV41118-001A	MAGNET	1		
	33	LV41741-001A	SPECIAL SCREW	1	CLAMPER + YOKE	
	34	QYSBSF3008M	SCREW	2	C.BASE + L.BASE	
	35	LV10324-001A	TRAY	1		
	36	QYSBSF3008M	SCREW	1	FOR TRAY STOPPER	
	37	LV41362-001A	HEAT SINK	1	FOR IC ON MODUL	

Parts list (General assembly)

Block No. M1MM

△	Item	Parts number	Parts name	Q'ty	Description	Area
	38	LV41363-002A	HOLDER	1	FOR HEAT SINK	
	39	QYSBSSGG3006E	SCREW	1	MODULE + CHASSIS	
	40	E408621-002	FASTENER	1		
	41	E309322-001SC	STAND(L)	1	MECHA FORE SIDE	
	42	E309321-001SC	STAND(R)	1	MECHA FORE SIDE	
	43	QYSBST3020Z	T.SCREW	2	MECHA + CHASSIS	
	44	E309323-001SC	STAND(REAR)	1	MECHA REAR SIDE	
	45	QYSBST3020Z	T.SCREW	1	MECHA + CHASSIS	
	46	QUQ605-4015AJ	FFC WIRE	1	MECHA --> MODUL	
	47	LV20698-025A	REAR PANEL	1	XV-523GD	
		LV20698-023A	REAR PANEL	1	XV-525BK	
		LV20698-022A	REAR PANEL	1	XV-521BK	
		LV20698-024A	REAR PANEL	1	XV-421BK	
	48	QYSBSGY3008M	SPECIAL SCREW	3	REAR + CHASSIS	
	49	QYSBSGY3008M	SPECIAL SCREW	1	XV-525BK/521BK/523GD	
	50	QYSBSGY3008M	SPECIAL SCREW	2	LEFT & RIGHT ON	
	51	QYSBSGY3008M	SPECIAL SCREW	1	XV-525BK/521BK/523GD	
	52	QYSBSGY3008M	SPECIAL SCREW	1	FOR GND TERMINA	
	53	QYSBSGY3008M	SPECIAL SCREW	1	AC INLET	
△	54	QMF51U1-1R6-J8	FUSE	1		
	55	LE20082-002A/S/	METAL COVER	1	XV-523GD	
		LE20082-004A/S/	METAL COVER	1	XV-525BK/521BK/421BK	
	56	QYSBSGY3008E	SPECIAL SCREW	2	METAL + REAR	
	57	E406308-003	SPECIAL SCREW	4	XV-525BK/521BK/421BK	
		E406308-004	SPECIAL SCREW	4	XV-523GD	
	58	LE30714-001A	SHUTTLE KNOB	1	XV-525/521BK	
		LE30714-005A	SHUTTLE KNOB	1	XV-523GD	
	59	LV20631-001A	TRAY FITTING	1	XV-525/521BK	
		LV20631-002A	TRAY FITTING	1	XV-523GD	
		LV20631-003A	TRAY FITTING	1	XV-421BK	
	60	LE40564-002A	MARK	1	XV-525BK/521BK/523GD	
	61	LV31791-001A	PUSH BUTTON(E)	1	XV-421BK	
	62	QLF0064-001	FL TUBE	1	D1801	
	63	E308192-331	FL HOLDER	1	BK801	
	64	E306805-134	SPACER	1		

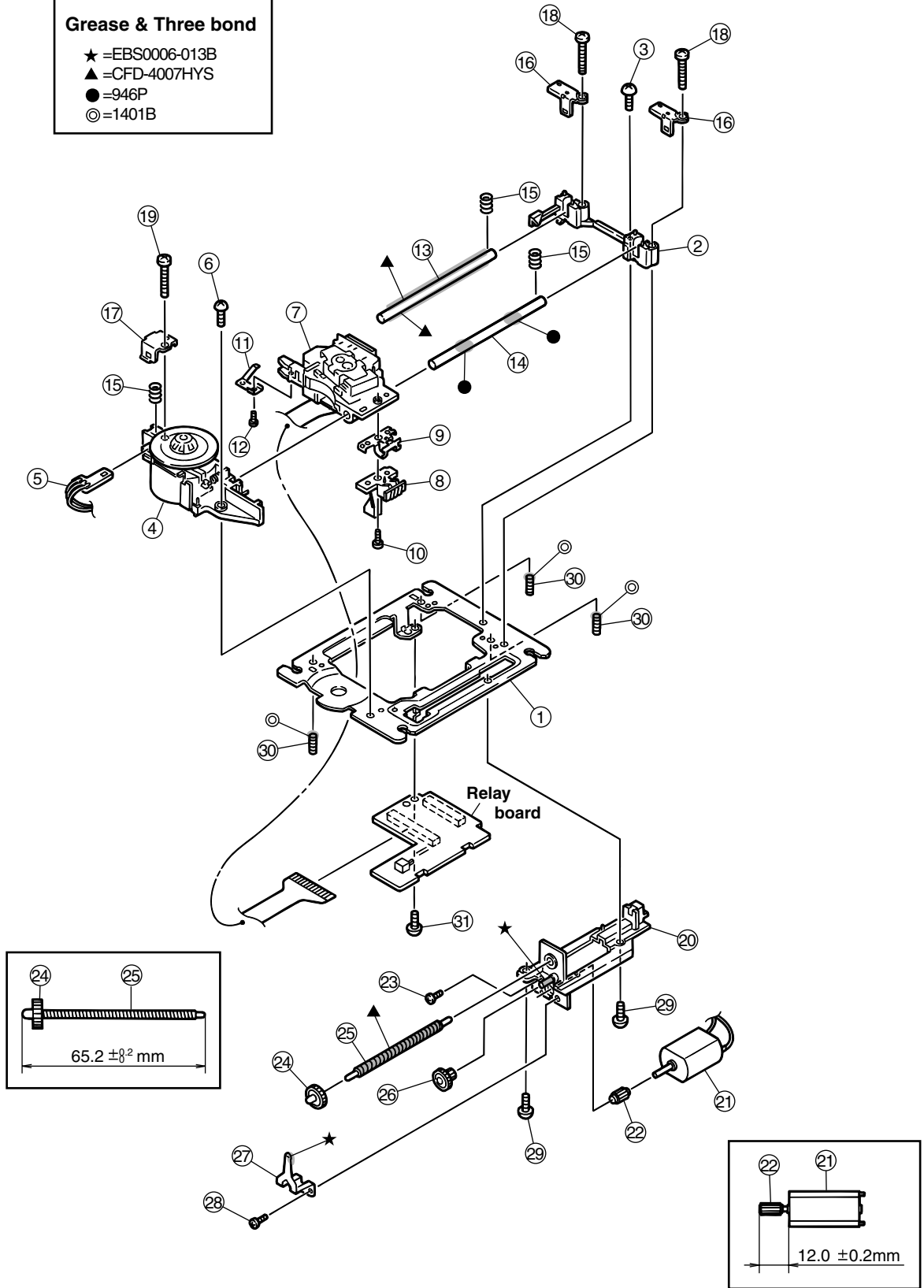
DVD mechanism assembly and parts list

Block No. M 2 M M

FXL-V6-1C

Grease & Three bond

- ★ =EBS0006-013B
- ▲ =CFD-4007HYS
- =946P
- ◎ =1401B



Parts list (DVD mechanism)

Block No. M2MM

△	Item	Parts number	Parts name	Q'ty	Description	Area
	1	LV20638-001A	MECHA BASE	1		
	2	LV20635-001A	SHAFT HOLDER	1		
	3	QYSBST2606M	T.SCREW	1		
	4	VDG1099001TSVME	SP. MOTOR ASS'Y	1		
	5	QUM193-08B2B2	PARA RIBON WIRE	1		
	6	QYSBST2606M	T.SCREW	1	FOR S.BASE&M.BA	
	7	OPTIMA-2010A1	DVD PICKUP	1		
	8	LV31670-001A	SWITCH ACTUATOR	1		
	9	LV31666-002A	LEAD SPRING	1		
	10	QYSPSGT2040M	SCREW	1		
	11	LV31743-002A	P.U. SPRING	1		
	12	QYSPSGT1416M	MINI SCREW	1		
	13	LV41121-002A	SHAFT	1	MAIN SHAFT	
	14	LV41121-002A	SHAFT	1	SUB SHAFT	
	15	LV41732-001A	SKEW SPRING	3		
	16	LV31669-001A	SHAFT STOPPER R	2		
	17	LV31668-001A	SHAFT STOPPER F	1		
	18	QYSPST2614M	SCREW	2	FOR SSTOPER R	
	19	QYSPST2614M	SCREW	1	FOR SSTOPER F	
	20	LV31746-003A	FEED HOLDER ASY	1		
	21	QAR0127-001	FEED MOTOR	1		
	22	LV41510-001A	FEED GEAR T	1		
	23	QYSPSPU2040M	SCREW	1	FOR F.M	
	24	LV41512-001A	FEED GEAR E	1		
	25	LV41517-001A	LEAD SCREW	1		
	26	LV41511-002A	FEED GEAR M	1		
	27	LV31667-001A	THRUST SPRING	1		
	28	QYSPSPU2040M	SCREW	1	FOR F.M	
	29	QYSBST2606M	T.SCREW	2	FOR F.HOLDER	
	30	QYYASPF2608N	HEX SCREW	3	FOR TILT ADJUST	
	31	QYSBST2606M	T.SCREW	1	FOR PW BOARD	

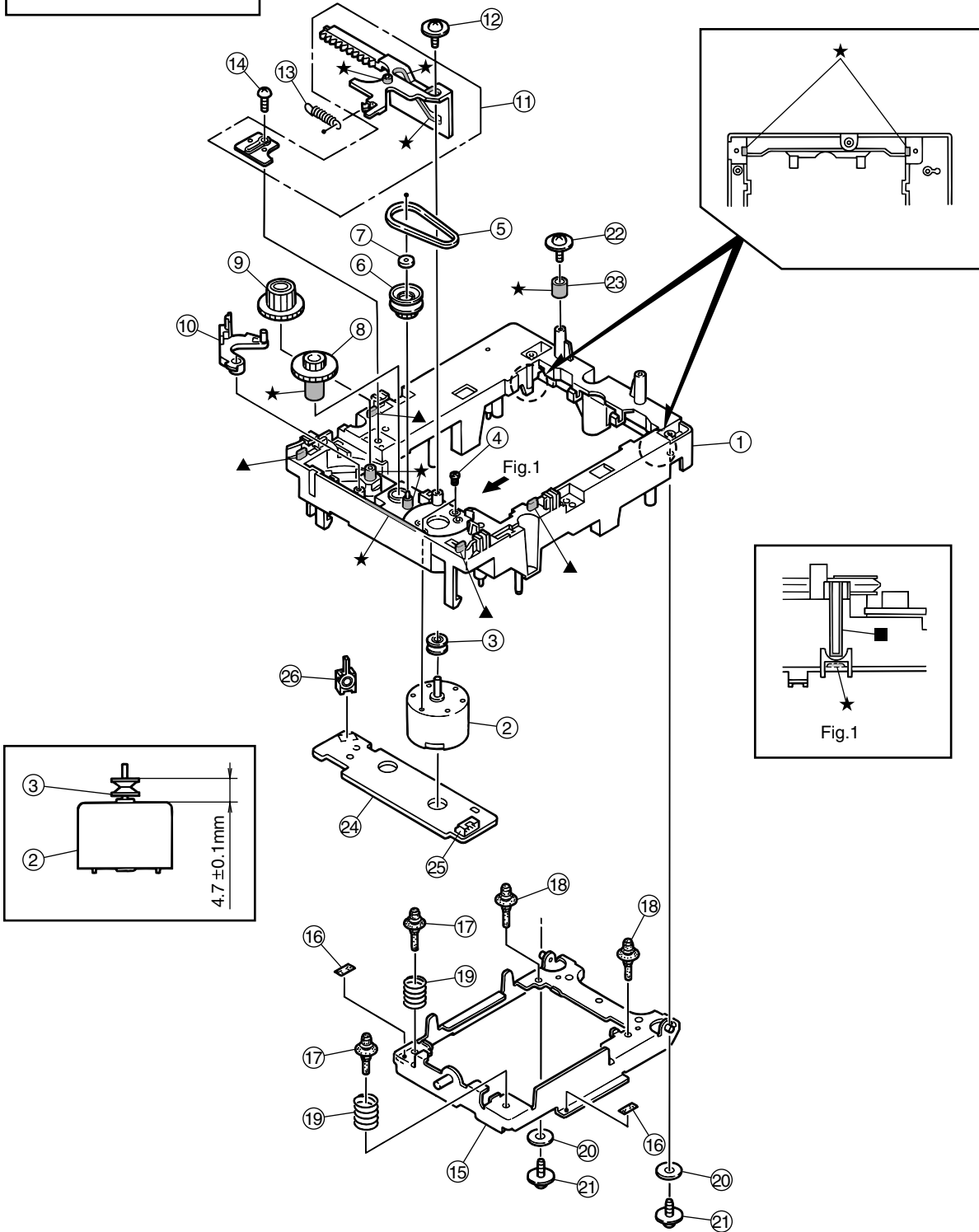
DVD loading base assembly and parts list

Block No. M 3 M M

FLM-121-1C

Grease

- ★ =G-474C
- ▲ =EBS0006-009B
- =G-330



Parts list (DVD loading base)

Block No. M3MM

△	Item	Parts number	Parts name	Q'ty	Description	Area
	1	E102357-441	LOADING BASE	1		
	2	MMN-6F1LB8K	MOTOR	1		
	3	E75984-001SC	MOTOR PULLEY	1		
	4	QYSPSPT2640Z	MINI SCREW	2		
	5	E75950-002	BELT	1		
	6	E75985-222SS	GEAR(1)	1		
	7	E60912-005SS	SPEED NUT	1		
	8	E75986-221SS	GEAR (2)	1		
	9	E75987-221SS	GEAR (3)	1		
	10	E307162-331	LEVER	1		
	11	E307252-331	CAM PLATE	1		
	12	E65923-003	TAPPING SCREW	1		
	13	E75989-001	SPRING	1		
	14	QYSBSF3008Z	SCREW	1		
	15	E307179-332	E.BASE ASS'Y	1		
	16	LV30225-089A	SPACER	2		
	17	LV41527-001A	INSULATOR	2		
	18	LV41527-002A	INSULATOR	2		
	19	E406871-001	SPRING	2		
	20	LV30226-019A	SPACER	2		
	21	E65923-003	TAPPING SCREW	2		
	22	QYSBSFG3008Z	T.SCREW	1		
	23	LV41961-001A	TRAY TUBE	1		
	24	EMW10095-003	P.C.BOARD	1	LOADING MOTOR	
	25	QGA2001F1-05	5P PLUG ASSY	1		
	26	QSW0472-001	SWITCH	1		

■ Electrical parts list (Power board)

Block No. 01

Item	Parts number	Parts name	Remarks	Area	Item	Parts number	Parts name	Remarks	Area
C 801	QCFB1HZ-104Y	C CAPACITOR	.10MF +80:-20%		D 910	ERA18-04-T1	FR DIODE		
C 802	QEKC1AM-476Z	E CAPACITOR	47MF 20% 10V		D 911	1SS133-T2	SI DIODE		
C 811	QCFB1HZ-104Y	C CAPACITOR	.10MF +80:-20%		D 950	MTZJ22C-T2	ZENER DIODE		
C 812	QEKC0JM-476Z	E CAPACITOR	47MF 20% 6.3V		D 951	ERA18-04-T1	FR DIODE		
C 813	QCFB1HZ-104Y	C CAPACITOR	.10MF +80:-20%		D 952	ERA18-04-T1	FR DIODE		
C 814	QCS11HJ-220	C CAPACITOR	22PF 5% 50V		△ D 953	FMB-24	FUSEIODE		
C 821	QEKC1HM-475Z	E CAPACITOR	4.7MF 20% 50V		△ D 954	ERA18-04-T1	FR DIODE		
△ C 902	QFZ9040-683	M CAPACITOR	.068MF		△ D 956	ERA18-04-T1	FR DIODE		
△ C 906	QCZ9079-102	C CAPACITOR	1000PF		D 957	ERA18-04-T1	FR DIODE		
△ C 907	QETM2DM-157	E CAPACITOR	150MF 20%		D 960	MTZJ2.0A-T2	ZENER DIODE		
C 908	QCZ0136-332Z	C CAPACITOR	3300PF		D 970	1SS133-T2	SI DIODE		
C 909	QCZ0136-101Z	C CAPACITOR	100PF		D 972	1SS133-T2	SI DIODE		
C 910	QCB1HK-221Y	C CAPACITOR	220PF 10% 50V		D 973	1SS133-T2	SI DIODE		
C 913	QCZ0136-101Z	C CAPACITOR	100PF		D 974	1SS133-T2	SI DIODE		
C 914	QEMX1EM-396Z	E CAPACITOR	39MF 20% 25V		D 991	MTZJ5.1C-T2	ZENER DIODE		
C 915	QCB1HK-471Y	C CAPACITOR	470PF 10% 50V		FC901	QNG0003-001Z	FUSE CLIP		
△ C 916	QCZ9079-332	C CAPACITOR	3300PF		FC902	QNG0003-001Z	FUSE CLIP		
C 918	QCFB1HZ-104Y	C CAPACITOR	.10MF +80:-20%		FW802	QUM124-13Z4Z4	FLAT WIRE	TO FW841(PSW)	
C 951	QCB1HK-101Y	C CAPACITOR	100PF 10% 50V		HS964	LE40505-001A	HEAT SINK		
C 952	QCB1HK-101Y	C CAPACITOR	100PF 10% 50V		IC801	GP1U271X	RM RECIVER		
C 953	QCB1HK-101Y	C CAPACITOR	100PF 10% 50V		IC802	M35500BGP	FL DRIVER		
C 954	QCB1HK-101Y	C CAPACITOR	100PF 10% 50V		IC901	STR-G6651	IC		
C 956	QCB1HK-101Y	C CAPACITOR	100PF 10% 50V		IC951	PQ05RD21	IC		
C 957	QCB1HK-101Y	C CAPACITOR	100PF 10% 50V		IC953	NJM78M05FA	IC		
C 960	QEMX1AM-826Z	E CAPACITOR	82MF 20% 10V		K 902	QQR0601-001Z	FERRITE BEADS		
C 961	QCZ0205-155Z	ML C CAPACITOR	1.5MF		△ L 901	QQR1105-001	LINE FILTER		
C 962	QETN1HM-226Z	E CAPACITOR	22MF 20% 50V		L 951	QQL01BK-R22Z	P COIL		
C 963	QEMX1HM-396Z	E CAPACITOR	39MF 20% 50V		L 952	QQR1098-001	INDUCTOR		
C 964	QETN1HM-226Z	E CAPACITOR	22MF 20% 50V		L 955	QQR1098-001	INDUCTOR		
C 965	QEMV1AM-108	E CAPACITOR	1000MF 20% 10V		L 957	QQR1098-001	INDUCTOR		
C 966	QETN1AM-477Z	E CAPACITOR	470MF 20% 10V		L 959	QQR1098-001	INDUCTOR		
C 967	QFVC1HJ-104Z	M.M.CAPACITOR	.10MF 5% 50V		△ P 901	QNC0046-001	AC INLET		
C 968	QFVC1HJ-104Z	M.M.CAPACITOR	.10MF 5% 50V		PC901	PC123F	IC(PHOTO COUPLE		
C 969	QETN1AM-227Z	E CAPACITOR	220MF 20% 10V		PC902	PC123F	IC(PHOTO COUPLE		
C 970	QFVC1HJ-104Z	M.M.CAPACITOR	.10MF 5% 50V		Q 951	2SC2060/QR/-T	TRANSISTOR		
C 973	QETN1AM-107Z	E CAPACITOR	100MF 20% 10V		Q 952	KRA104M-T	D.TRANSISTOR		
C 976	QFVC1HJ-104Z	M.M.CAPACITOR	.10MF 5% 50V		Q 953	2SA1175/FE/-T	TRANSISTOR		
C 977	QFVC1HJ-104Z	M.M.CAPACITOR	.10MF 5% 50V		Q 964	2SB1565/EF/	TRANSISTOR		
C 978	QETN1AM-107Z	E CAPACITOR	100MF 20% 10V		Q 965	2SC2785/FE/-T	TRANSISTOR		
C 979	QEMV1CM-827	E CAPACITOR	820MF 20% 16V		Q 966	2SA1175/FE/-T	TRANSISTOR		
C 981	QCZ0205-155Z	ML C CAPACITOR	1.5MF		Q 991	2SC2785/FE/-T	TRANSISTOR		
C 982	QEMV1EM-567	E CAPACITOR	560MF 20% 25V		R 801	QRE141J-222Y	C RESISTOR	2.2K 5% 1/4W	
C 984	QETN1EM-227Z	E CAPACITOR	220MF 20% 25V		R 802	QRE141J-222Y	C RESISTOR	2.2K 5% 1/4W	
C 987	QEMX1EM-187Z	E CAPACITOR	180MF 20% 25V		R 803	QRE141J-222Y	C RESISTOR	2.2K 5% 1/4W	
C 989	QETN1EM-107Z	E CAPACITOR	100MF 20% 25V		R 804	QRE141J-222Y	C RESISTOR	XV-525BK/521BK/523GD	
C 992	QETN1HM-474Z	E CAPACITOR	.47MF 20% 50V		R 805	QRE141J-222Y	C RESISTOR	XV-525BK/521BK/523GD	
C 993	QCB1HK-101Y	C CAPACITOR	100PF 10% 50V		R 806	QRE141J-102Y	C RESISTOR	1.0K 5% 1/4W	
C 994	QDVB1EZ-223Y	C CAPACITOR			R 807	QRE141J-102Y	C RESISTOR	1.0K 5% 1/4W	
C 995	QETN1CM-227Z	E CAPACITOR	220MF 20% 16V		R 808	QRE141J-102Y	C RESISTOR	1.0K 5% 1/4W	
C 996	QETN1CM-226Z	E CAPACITOR	22MF 20% 16V		R 809	QRE141J-102Y	C RESISTOR	1.0K 5% 1/4W	
C 997	QETN1CM-227Z	E CAPACITOR	220MF 20% 16V		R 813	QRE141J-102Y	C RESISTOR	1.0K 5% 1/4W	
CN801	VMC0163-R08	CONNECTOR	TO CN703(SYS)		R 814	QRE141J-222Y	C RESISTOR	2.2K 5% 1/4W	
CN832	QGB1216K1-06S	CONNECTOR	TO CN971(POW)		R 816	QRE141J-431Y	C RESISTOR	XV-421BK	
CN951	QGB2011L1-08	B TO B CONNECTO	TO CN705(SYS)		R 821	QRE141J-102Y	C RESISTOR	XV-525BK/521BK/523GD	
CN961	QGB2011L1-08	B TO B CONNECTO	TO CN704(SYS)		R 844	QRE141J-222Y	C RESISTOR	XV-421BK	
CN971	QGB1216J1-06S	CONNECTOR	TO CN832(FL)		R 845	QRE141J-431Y	C RESISTOR	430 5% 1/4W	
△ CP951	ICP-N10-T	ICP			R 846	QRE141J-681Y	C RESISTOR	680 5% 1/4W	
△ CP952	ICP-N5-T	ICP			R 847	QRE141J-112Y	C RESISTOR	1.1K 5% 1/4W	
D 801	SLR-342VC-T	LED	STANDBY		R 848	QRE141J-222Y	C RESISTOR	2.2K 5% 1/4W	
△ D 901	S1WB/A/60-4101	BRIDGE DIODE			R 900	QRE141J-221Y	C RESISTOR	220 5% 1/4W	
D 902	ERA18-04-T1	FR DIODE			R 901	QRL01DJ-683X	OMF RESISTOR	68K 5% 1/1W	
D 903	ERA18-04-T1	FR DIODE			R 903	QRE141J-270Y	C RESISTOR	27 5% 1/4W	
D 904	ERA18-04-T1	FR DIODE			R 904	QRE141J-222Y	C RESISTOR	2.2K 5% 1/4W	
D 908	ERA18-04-T1	FR DIODE			R 905	QRL027J-683	OMF RESISTOR	68K 5% 1/2W	

■ Electrical parts list (Power board)

Block No. 01

△	Item	Parts number	Parts name	Remarks	Area
	R 906	QRE141J-681Y	C RESISTOR	680 5% 1/4W	
	R 907	QRT022J-R47	OMF RESISTOR	5% 1/2W	
	R 908	QRE141J-332Y	C RESISTOR	3.3K 5% 1/4W	
	R 910	QRE141J-754Y	C RESISTOR	750K 5% 1/4W	
	R 911	QRE141J-754Y	C RESISTOR	750K 5% 1/4W	
	R 952	QRE141J-103Y	C RESISTOR	10K 5% 1/4W	
	R 953	QRE141J-103Y	C RESISTOR	10K 5% 1/4W	
△	R 954	QRZ9006-4R7X	F RESISTOR	4.7 1/0W	
	R 955	QRE141J-223Y	C RESISTOR	22K 5% 1/4W	
	R 956	QRE141J-100Y	C RESISTOR	10 5% 1/4W	
	R 960	QRE141J-101Y	C RESISTOR	100 5% 1/4W	
	R 961	QRE141J-681Y	C RESISTOR	680 5% 1/4W	
	R 962	QRE141J-105Y	C RESISTOR	1.0M 5% 1/4W	
	R 963	QRE141J-101Y	C RESISTOR	100 5% 1/4W	
	R 964	QRE141J-105Y	C RESISTOR	1.0M 5% 1/4W	
	R 965	QRE141J-103Y	C RESISTOR	10K 5% 1/4W	
	R 969	QRE141J-221Y	C RESISTOR	220 5% 1/4W	
	R 971	QRE141J-472Y	C RESISTOR	4.7K 5% 1/4W	
	R 972	QRE141J-122Y	C RESISTOR	1.2K 5% 1/4W	
	R 973	QRE141J-102Y	C RESISTOR	1.0K 5% 1/4W	
	R 974	QRE141J-562Y	C RESISTOR	5.6K 5% 1/4W	
	R 975	QRE141J-562Y	C RESISTOR	5.6K 5% 1/4W	
	R 976	QRE141J-221Y	C RESISTOR	220 5% 1/4W	
	R 980	QRE141J-272Y	C RESISTOR	2.7K 5% 1/4W	
	S 801	QSW0683-001Z	PUSH SWITCH	POWER	
	S 811	QSW0683-001Z	PUSH SWITCH	3D-PHONIC	
	S 821	QSW0683-001Z	PUSH SWITCH	OPEN/CLOSE	
	S 831	QSW0683-001Z	PUSH SWITCH	STOP	
	S 832	QSW0683-001Z	PUSH SWITCH	PAUSE	
	S 833	QSW0683-001Z	PUSH SWITCH	PLAY	
	S 834	QSW0683-001Z	PUSH SWITCH	F.SKIP	
	S 835	QSW0683-001Z	PUSH SWITCH	B.SKIP	
	S 841	QVQ0123-B15	SHUTTLE VR	XV-525BK/521BK/523GD	
	S 842	QSW0683-001Z	PUSH SWITCH	XV-421BK	
	S 843	QSW0683-001Z	PUSH SWITCH	XV-421BK	
	SP802	VYH7653-002	IC HOLDER	FOR IC802	
△	T 901	QQS0076-001	SW TRANSF		

■ Electrical parts list (Main board)

Block No. 02

Item	Parts number	Parts name	Remarks	Area
C 601	QCBB1HK-181Y	C CAPACITOR	180PF 10% 50V	
C 603	QCS11HJ-680	C CAPACITOR	68PF 5% 50V	
C 604	QCS11HJ-150	C CAPACITOR	15PF 5% 50V	
C 609	QETN0JM-477Z	E CAPACITOR	470MF 20% 6.3V	
C 611	QCBB1HK-181Y	C CAPACITOR	180PF 10% 50V	
C 613	QCS11HJ-680	C CAPACITOR	68PF 5% 50V	
C 614	QCS11HJ-150	C CAPACITOR	15PF 5% 50V	
C 619	QETN0JM-477Z	E CAPACITOR	470MF 20% 6.3V	
C 621	QCBB1HK-121Y	C CAPACITOR	120PF 10% 50V	
C 623	QCS11HJ-470	C CAPACITOR	47PF 5% 50V	
C 624	QCS11HJ-100	C CAPACITOR	10PF 5% 50V	
C 629	QETN0JM-477Z	E CAPACITOR	470MF 20% 6.3V	
C 631	QCBB1HK-121Y	C CAPACITOR	120PF 10% 50V	
C 633	QCS11HJ-470	C CAPACITOR	47PF 5% 50V	
C 634	QCS11HJ-100	C CAPACITOR	10PF 5% 50V	
C 639	QCFB1HZ-104Y	C CAPACITOR	.10MF +80:-20%	
C 641	QCBB1HK-121Y	C CAPACITOR	120PF 10% 50V	
C 643	QCS11HJ-470	C CAPACITOR	47PF 5% 50V	
C 644	QCS11HJ-100	C CAPACITOR	10PF 5% 50V	
C 649	QETN0JM-477Z	E CAPACITOR	470MF 20% 6.3V	
C 659	QETN0JM-477Z	E CAPACITOR	470MF 20% 6.3V	
C 663	QCBB1HK-151Y	C CAPACITOR	150PF 10% 50V	
C 699	QCBB1HK-221Y	C CAPACITOR	220PF 10% 50V	
C 701	QETN1HM-105Z	E CAPACITOR	1.0MF 20% 50V	
C 702	QCFB1HZ-104Y	C CAPACITOR	.10MF +80:-20%	
C 705	QCFB1HZ-104Y	C CAPACITOR	.10MF +80:-20%	
C 706	QFVC1HJ-104Z	M.M.CAPACITOR	.10MF 5% 50V	
C 707	QETN0JM-107Z	E CAPACITOR	XV-525BK/521BK/523GD	
C 709	QCBB1HK-331Y	C CAPACITOR	XV-525BK/521BK/523GD	
C 710	QETN1AM-477Z	E CAPACITOR	470MF 20% 10V	
C 711	QCZ0205-155Z	ML C CAPACITOR	1.5MF	
C 712	QETN0JM-477Z	E CAPACITOR	470MF 20% 6.3V	
C 713	QETN1CM-107Z	E CAPACITOR	100MF 20% 16V	
C 714	QETN0JM-477Z	E CAPACITOR	470MF 20% 6.3V	
C 715	QCZ0205-155Z	ML C CAPACITOR	1.5MF	
C 716	QETN0JM-477Z	E CAPACITOR	470MF 20% 6.3V	
C 717	QCZ0205-155Z	ML C CAPACITOR	1.5MF	
C 718	QETN0JM-477Z	E CAPACITOR	470MF 20% 6.3V	
C 720	QCFB1HZ-104Y	C CAPACITOR	.10MF +80:-20%	
C 721	QCZ0205-155Z	ML C CAPACITOR	1.5MF	
C 722	QCFB1HZ-104Y	C CAPACITOR	XV-525BK/521BK/523GD	
C 723	QCF11HZ-473	C CAPACITOR	.047MF +80:-20%	
C 724	QCF11HZ-103	C CAPACITOR	.010MF +80:-20%	
C 725	QETN1CM-477Z	E CAPACITOR	470MF 20% 16V	
C 726	QETN1CM-227Z	E CAPACITOR	220MF 20% 16V	
C 727	QETN1AM-227Z	E CAPACITOR	220MF 20% 10V	
C 728	QETN1AM-107Z	E CAPACITOR	100MF 20% 10V	
C 729	QCBB1HK-271Y	C CAPACITOR	XV-525BK/521BK/523GD	
C 730	QFVC1HJ-474Z	M.M.CAPACITOR	.47MF 5% 50V	
C 731	QDYB1CM-103Y	C CAPACITOR		
C 732	QDGB1HK-102Y	C CAPACITOR		
C 733	QDGB1HK-102Y	C CAPACITOR		
C 734	QDX31EM-473Z	C CAPACITOR		
C 735	QCFB1HZ-104Y	C CAPACITOR	.10MF +80:-20%	
C 736	QCFB1HZ-104Y	C CAPACITOR	XV-525BK/521BK/523GD	
C 740	QFN32AJ-152Z	M CAPACITOR	1500PF 5% 100V	
C 741	QCBB1HK-181Y	C CAPACITOR	180PF 10% 50V	
C 742	QFN32AJ-333Z	M CAPACITOR	.033MF 5% 100V	
C 743	QFN32AJ-152Z	M CAPACITOR	1500PF 5% 100V	
C 744	QFN32AJ-182Z	M CAPACITOR	1800PF 5% 100V	
C 745	QFN32AJ-103Z	M CAPACITOR	.010MF 5% 100V	
C 746	QETN1EM-476Z	E CAPACITOR	47MF 20% 25V	
C 747	QFN32AJ-152Z	M CAPACITOR	1500PF 5% 100V	
C 750	QFN32AJ-152Z	M CAPACITOR	1500PF 5% 100V	

Item	Parts number	Parts name	Remarks	Area
C 751	QCBB1HK-181Y	C CAPACITOR	180PF 10% 50V	
C 752	QFN32AJ-333Z	M CAPACITOR	.033MF 5% 100V	
C 753	QFN32AJ-152Z	M CAPACITOR	1500PF 5% 100V	
C 754	QFN32AJ-182Z	M CAPACITOR	1800PF 5% 100V	
C 755	QFN32AJ-103Z	M CAPACITOR	.010MF 5% 100V	
C 756	QETN1EM-476Z	E CAPACITOR	47MF 20% 25V	
C 757	QFN32AJ-152Z	M CAPACITOR	1500PF 5% 100V	
C 761	QETN1CM-107Z	E CAPACITOR	100MF 20% 16V	
C 762	QETN1CM-107Z	E CAPACITOR	100MF 20% 16V	
C 771	QETN1CM-107Z	E CAPACITOR	100MF 20% 16V	
C 772	QETN1CM-107Z	E CAPACITOR	100MF 20% 16V	
C 773	QETN1EM-476Z	E CAPACITOR	47MF 20% 25V	
C 778	QETN1EM-476Z	E CAPACITOR	47MF 20% 25V	
C 797	QDYB1CM-103Y	C CAPACITOR		
C 798	QDYB1CM-103Y	C CAPACITOR		
CN601	QGB2027M3-10S	CONNECTOR	TO CN503	
CN701	QGB2027M4-22S	CONNECTOR	TO CN502(MDUL)	
CN702	QJK021-050800	SIN CR C-B WIRE	TO	
CN703	QGF1205C1-08	CONNECTOR	TO CN801(FL)	
CN704	EMV5159-1008	B TO B CONNECTO	TO CN961(POWER)	
CN705	EMV5159-1008	B TO B CONNECTO	TO CN951(POWER)	
CN706	QGB2027M3-10S	CONNECTOR	TO CN501(MODUL)	
D 609	1SS133-T2	SI DIODE		
D 619	1SS133-T2	SI DIODE		
D 629	1SS133-T2	SI DIODE		
D 639	1SS133-T2	SI DIODE		
D 649	1SS133-T2	SI DIODE		
D 701	1SS133-T2	SI DIODE		
D 709	1SS133-T2	SI DIODE	XV-525BK/521BK/523GD	
D 731	KV1555N-T	VARI CAPACITOR		
D 732	KV1555N-T	VARI CAPACITOR		
D 733	MTZJ5.1C-T2	ZENER DIODE		
D 734	ERA18-04-T1	FR DIODE		
D 735	ERA18-04-T1	FR DIODE		
D 791	1SS133-T2	SI DIODE		
D 792	1SS133-T2	SI DIODE		
D 793	MTZJ3.3B-T2	ZENER DIODE		
FW701	QUM124-10Z4Z4	PARA RIBON WIRE	FW701 TO FW702	
IC701	MN101C12GHA	IC	SYSTEM MICOM	
IC702	IC-PST9140-T	IC		
IC703	MN35503-X	IC		
IC711	PQ05RD21	IC		
IC712	BA6208A	IC		
IC741	NJM4580D	IC		
IC751	NJM4580D	IC		
IC791	AK93C45AF-W	IC		
IC792	TC74HC08AP	IC		
J 601	QNN0333-001	PIN JACK	COMPONENT	
J 702	QNS0083-001	3.5 JACK	XV-525BK/521BK/523GD	
J 703	GP1F32T	OPTICAL JACK	XV-525BK/521BK/523GD	
K 603	QQR0601-001Z	FERRITE BEADS		
K 604	QQR0601-001Z	FERRITE BEADS		
K 605	QQR0601-001Z	FERRITE BEADS		
K 705	QQR0601-001Z	FERRITE BEADS		
K 706	QQR0601-001Z	FERRITE BEADS		
K 710	QQR0601-001Z	FERRITE BEADS		
K 712	QQR0601-001Z	FERRITE BEADS		
K 714	QQR0601-001Z	FERRITE BEADS		
K 715	QQR0601-001Z	FERRITE BEADS		
K 716	QQR0601-001Z	FERRITE BEADS		
K 717	QQR0601-001Z	FERRITE BEADS		
K 718	QQR0601-001Z	FERRITE BEADS	XV-525BK/521BK/523GD	
L 601	QQL071J-120Y	INDUCTOR		
L 602	QQL071J-5R6Y	INDUCTOR		

■ Electrical parts list (Main board)

Block No. 02

Item	Parts number	Parts name	Remarks	Area	Item	Parts number	Parts name	Remarks	Area
L 611	QQL071J-120Y	INDUCTOR			R 711	QRE141J-560Y	C RESISTOR	56 5% 1/4W	
L 612	QQL071J-5R6Y	INDUCTOR			R 712	QRE141J-560Y	C RESISTOR	56 5% 1/4W	
L 621	QQL071J-120Y	INDUCTOR			R 713	QRE141J-560Y	C RESISTOR	56 5% 1/4W	
L 622	QQL071J-5R6Y	INDUCTOR			R 714	QRE141J-152Y	C RESISTOR	1.5K 5% 1/4W	
L 631	QQL071J-120Y	INDUCTOR			R 715	QRE141J-560Y	C RESISTOR	56 5% 1/4W	
L 632	QQL071J-5R6Y	INDUCTOR			R 716	QRE141J-152Y	C RESISTOR	1.5K 5% 1/4W	
L 641	QQL071J-120Y	INDUCTOR			R 717	QRE141J-101Y	C RESISTOR	100 5% 1/4W	
L 642	QQL071J-5R6Y	INDUCTOR			R 721	QRE141J-471Y	C RESISTOR	470 5% 1/4W	
L 731	QQL071J-1R2Y	INDUCTOR			R 722	QRE141J-471Y	C RESISTOR	470 5% 1/4W	
Q 601	2SA1175/FE/-T	TRANSISTOR			R 723	QRE141J-471Y	C RESISTOR	470 5% 1/4W	
Q 611	2SA1175/FE/-T	TRANSISTOR			R 724	QRE141J-471Y	C RESISTOR	470 5% 1/4W	
Q 621	2SA1175/FE/-T	TRANSISTOR			R 725	QRE141J-511Y	C RESISTOR	510 5% 1/4W	
Q 631	2SA1175/FE/-T	TRANSISTOR			R 726	QRE141J-471Y	C RESISTOR	470 5% 1/4W	
Q 641	2SA1175/FE/-T	TRANSISTOR			R 727	QRE141J-102Y	C RESISTOR	1.0K 5% 1/4W	
Q 709	KRC107M-T	D.TRANSISTOR	XV-525BK/521BK/523GD		R 728	QRE141J-471Y	C RESISTOR	470 5% 1/4W	
Q 711	KRA102M-T	D.TRANSISTOR			R 729	QRE141J-471Y	C RESISTOR	470 5% 1/4W	
Q 741	2SC3576-JVC-T	TRANSISTOR	FREQ		R 730	QRE141J-333Y	C RESISTOR	33K 5% 1/4W	
Q 743	2SC3576-JVC-T	TRANSISTOR	AMUTE1		R 731	QRE141J-102Y	C RESISTOR	1.0K 5% 1/4W	
Q 751	2SC3576-JVC-T	TRANSISTOR	FREQ		R 732	QRE141J-333Y	C RESISTOR	33K 5% 1/4W	
Q 753	2SC3576-JVC-T	TRANSISTOR	AMUTE1		R 733	QRE141J-104Y	C RESISTOR	100K 5% 1/4W	
Q 791	KRA102M-T	D.TRANSISTOR			R 734	QRE141J-333Y	C RESISTOR	33K 5% 1/4W	
R 601	QRE141J-120Y	C RESISTOR	12 5% 1/4W		R 735	QRE141J-104Y	C RESISTOR	100K 5% 1/4W	
R 602	QRE141J-361Y	C RESISTOR	360 5% 1/4W		R 736	QRE141J-181Y	C RESISTOR	180 5% 1/4W	
R 603	QRE141J-120Y	C RESISTOR	12 5% 1/4W		R 737	QRE141J-104Y	C RESISTOR	100K 5% 1/4W	
R 604	QRE141J-361Y	C RESISTOR	360 5% 1/4W		R 738	QRE141J-153Y	C RESISTOR	15K 5% 1/4W	
R 605	QRE141J-221Y	C RESISTOR	220 5% 1/4W		R 739	QRE141J-102Y	C RESISTOR	1.0K 5% 1/4W	
R 606	QRE141J-102Y	C RESISTOR	1.0K 5% 1/4W		R 740	QRE141J-243Y	C RESISTOR	24K 5% 1/4W	
R 609	QRE141J-680Y	C RESISTOR	68 5% 1/4W		R 741	QRE141J-243Y	C RESISTOR	24K 5% 1/4W	
R 611	QRE141J-120Y	C RESISTOR	12 5% 1/4W		R 742	QRE141J-163Y	C RESISTOR	16K 5% 1/4W	
R 612	QRE141J-361Y	C RESISTOR	360 5% 1/4W		R 743	QRE141J-163Y	C RESISTOR	16K 5% 1/4W	
R 613	QRE141J-120Y	C RESISTOR	12 5% 1/4W		R 744	QRE141J-682Y	C RESISTOR	6.8K 5% 1/4W	
R 614	QRE141J-361Y	C RESISTOR	360 5% 1/4W		R 745	QRE141J-183Y	C RESISTOR	18K 5% 1/4W	
R 615	QRE141J-221Y	C RESISTOR	220 5% 1/4W		R 746	QRE141J-821Y	C RESISTOR	820 5% 1/4W	
R 616	QRE141J-102Y	C RESISTOR	1.0K 5% 1/4W		R 747	QRE141J-362Y	C RESISTOR	3.6K 5% 1/4W	
R 619	QRE141J-680Y	C RESISTOR	68 5% 1/4W		R 748	QRE141J-561Y	C RESISTOR	560 5% 1/4W	
R 621	QRE141J-751Y	C RESISTOR	750 5% 1/4W		R 749	QRE141J-103Y	C RESISTOR	10K 5% 1/4W	
R 622	QRE141J-751Y	C RESISTOR	750 5% 1/4W		R 750	QRE141J-243Y	C RESISTOR	24K 5% 1/4W	
R 623	QRE141J-751Y	C RESISTOR	750 5% 1/4W		R 751	QRE141J-243Y	C RESISTOR	24K 5% 1/4W	
R 624	QRE141J-751Y	C RESISTOR	750 5% 1/4W		R 752	QRE141J-163Y	C RESISTOR	16K 5% 1/4W	
R 625	QRE141J-221Y	C RESISTOR	220 5% 1/4W		R 753	QRE141J-163Y	C RESISTOR	16K 5% 1/4W	
R 626	QRE141J-561Y	C RESISTOR	560 5% 1/4W		R 754	QRE141J-682Y	C RESISTOR	6.8K 5% 1/4W	
R 629	QRE141J-680Y	C RESISTOR	68 5% 1/4W		R 755	QRE141J-183Y	C RESISTOR	18K 5% 1/4W	
R 632	QRE141J-361Y	C RESISTOR	360 5% 1/4W		R 756	QRE141J-821Y	C RESISTOR	820 5% 1/4W	
R 634	QRE141J-361Y	C RESISTOR	360 5% 1/4W		R 757	QRE141J-362Y	C RESISTOR	3.6K 5% 1/4W	
R 635	QRE141J-221Y	C RESISTOR	220 5% 1/4W		R 758	QRE141J-561Y	C RESISTOR	560 5% 1/4W	
R 636	QRE141J-102Y	C RESISTOR	1.0K 5% 1/4W		R 759	QRE141J-103Y	C RESISTOR	10K 5% 1/4W	
R 639	QRE141J-680Y	C RESISTOR	68 5% 1/4W		R 760	QRE141J-105Y	C RESISTOR	1.0M 5% 1/4W	
R 641	QRE141J-751Y	C RESISTOR	750 5% 1/4W		R 761	QRE141J-561Y	C RESISTOR	560 5% 1/4W	
R 642	QRE141J-751Y	C RESISTOR	750 5% 1/4W		R 762	QRE141J-821Y	C RESISTOR	820 5% 1/4W	
R 643	QRE141J-751Y	C RESISTOR	750 5% 1/4W		R 764	QRE141J-183Y	C RESISTOR	18K 5% 1/4W	
R 644	QRE141J-751Y	C RESISTOR	750 5% 1/4W		R 765	QRE141J-561Y	C RESISTOR	560 5% 1/4W	
R 645	QRE141J-221Y	C RESISTOR	220 5% 1/4W		R 766	QRE141J-273Y	C RESISTOR	27K 5% 1/4W	
R 646	QRE141J-561Y	C RESISTOR	560 5% 1/4W		R 767	QRE141J-151Y	C RESISTOR	150 5% 1/4W	
R 649	QRE141J-680Y	C RESISTOR	68 5% 1/4W		R 768	QRE141J-103Y	C RESISTOR	10K 5% 1/4W	
R 659	QRE141J-680Y	C RESISTOR	68 5% 1/4W		R 770	QRE141J-105Y	C RESISTOR	1.0M 5% 1/4W	
R 687	QRE141J-270Y	C RESISTOR	27 5% 1/4W		R 771	QRE141J-561Y	C RESISTOR	560 5% 1/4W	
R 701	QRE141J-102Y	C RESISTOR	1.0K 5% 1/4W		R 772	QRE141J-821Y	C RESISTOR	820 5% 1/4W	
R 702	QRE141J-472Y	C RESISTOR	4.7K 5% 1/4W		R 774	QRE141J-183Y	C RESISTOR	18K 5% 1/4W	
R 703	QRE141J-105Y	C RESISTOR	1.0M 5% 1/4W		R 775	QRE141J-561Y	C RESISTOR	560 5% 1/4W	
R 704	QRE141J-102Y	C RESISTOR	1.0K 5% 1/4W		R 776	QRE141J-273Y	C RESISTOR	27K 5% 1/4W	
R 705	QRE141J-2R2Y	C RESISTOR	XV-525BK/521BK/523GD		R 777	QRE141J-151Y	C RESISTOR	150 5% 1/4W	
R 707	QRE141J-101Y	C RESISTOR	XV-525BK/521BK/523GD		R 778	QRE141J-103Y	C RESISTOR	10K 5% 1/4W	
R 708	QRE141J-101Y	C RESISTOR	XV-525BK/521BK/523GD		R 782	QRE141J-221Y	C RESISTOR	220 5% 1/4W	
R 709	QRE141J-103Y	C RESISTOR	XV-525BK/521BK/523GD		R 783	QRE141J-221Y	C RESISTOR	220 5% 1/4W	

■ Electrical parts list (Main board)

Block No. 02

Item	Parts number	Parts name	Remarks	Area
R 786	QRE141J-333Y	C RESISTOR	33K 5% 1/4W	
R 792	QRE141J-221Y	C RESISTOR	220 5% 1/4W	
R 793	QRE141J-221Y	C RESISTOR	220 5% 1/4W	
R 796	QRE141J-472Y	C RESISTOR	4.7K 5% 1/4W	
R 797	QRE141J-473Y	C RESISTOR	47K 5% 1/4W	
R 798	QRE141J-473Y	C RESISTOR	47K 5% 1/4W	
R1701	QRE141J-222Y	C RESISTOR	2.2K 5% 1/4W	
R1702	QRE141J-222Y	C RESISTOR	2.2K 5% 1/4W	
R1703	QRE141J-222Y	C RESISTOR	2.2K 5% 1/4W	
R1704	QRE141J-103Y	C RESISTOR	10K 5% 1/4W	
R1706	QRE141J-222Y	C RESISTOR	2.2K 5% 1/4W	
R1707	QRE141J-222Y	C RESISTOR	2.2K 5% 1/4W	
R1708	QRE141J-222Y	C RESISTOR	2.2K 5% 1/4W	
R1709	QRE141J-102Y	C RESISTOR	1.0K 5% 1/4W	
R1710	QRE141J-102Y	C RESISTOR	1.0K 5% 1/4W	
R1711	QRE141J-102Y	C RESISTOR	1.0K 5% 1/4W	
R1712	QRE141J-331Y	C RESISTOR	330 5% 1/4W	
R1713	QRE141J-101Y	C RESISTOR	100 5% 1/4W	
R1714	QRE141J-472Y	C RESISTOR	4.7K 5% 1/4W	
R1715	QRE141J-103Y	C RESISTOR	10K 5% 1/4W	
R1716	QRE141J-102Y	C RESISTOR	1.0K 5% 1/4W	
R1717	QRE141J-102Y	C RESISTOR	1.0K 5% 1/4W	
R1720	QRE141J-750Y	C RESISTOR	75 5% 1/4W	
R1723	QRE141J-221Y	C RESISTOR	XV-525BK/521BK/523GD	
R1724	QRE141J-331Y	C RESISTOR	330 5% 1/4W	
R1726	QRE141J-222Y	C RESISTOR	2.2K 5% 1/4W	
R1730	QRE141J-102Y	C RESISTOR	1.0K 5% 1/4W	
R1731	QRE141J-102Y	C RESISTOR	1.0K 5% 1/4W	
R1732	QRE141J-102Y	C RESISTOR	1.0K 5% 1/4W	
SP701	VYH7653-001	IC HOLDER	FOR IC701	
SP703	VYH7653-003SC	IC HOLDER	FOR IC703	
T 601	QQR0880-001	PULSE TRANS		
X 701	QAX0356-001Z	RESONATOR		

■ Electrical parts list (DVD servo board)

Block No. 03

△	Item	Parts number	Parts name	Remarks	Area	△	Item	Parts number	Parts name	Remarks	Area
	C 1	NCB31CK-104X	C CAPACITOR				C 237	NCB31CK-104X	C CAPACITOR		
	C 2	NEA70JM-226X	E CAPACITOR				C 238	NCB31CK-104X	C CAPACITOR		
	C 3	NEA70JM-226X	E CAPACITOR				C 239	NCB31CK-183X	C CAPACITOR		
	C 4	NCB31CK-104X	C CAPACITOR				C 240	NCS31HJ-470X	C CAPACITOR		
	C 5	NEX40JM-156X	E CAPACITOR				C 241	NCB31CK-103X	C CAPACITOR		
	C 6	NCB31CK-104X	C CAPACITOR				C 242	NCB11CK-105X	C CAPACITOR		
	C 11	NEA70JM-107X	E CAPACITOR				C 244	NCB31CK-104X	C CAPACITOR		
	C 12	NCB31CK-104X	C CAPACITOR				C 245	NCB31CK-103X	C CAPACITOR		
	C 15	NCB31CK-104X	C CAPACITOR				C 246	NCB31CK-104X	C CAPACITOR		
	C 16	NBE20JM-106X	TS E CAP SVB20J				C 247	NCB31CK-104X	C CAPACITOR		
	C 17	NCB31CK-104X	C CAPACITOR				C 248	NCB21CK-154X	C CAPACITOR		
	C 101	NCB31HK-561X	C CAPACITOR				C 249	NCB31CK-104X	C CAPACITOR		
	C 102	NCB31CK-104X	C CAPACITOR				C 250	NCB31CK-104X	C CAPACITOR		
	C 103	NCB31CK-104X	C CAPACITOR				C 251	NCB31CK-104X	C CAPACITOR		
	C 104	NCB31CK-104X	C CAPACITOR				C 252	NCB31CK-104X	C CAPACITOR		
	C 105	NCB31CK-104X	C CAPACITOR				C 253	NCB31CK-104X	C CAPACITOR		
	C 109	NEA70JM-476X	E CAPACITOR				C 254	NEA70GM-336X	E CAPACITOR		
	C 112	NEA70JM-476X	E CAPACITOR				C 255	NCB31CK-104X	C CAPACITOR		
	C 118	NCB21CK-154X	C CAPACITOR				C 256	NEA70GM-107X	E CAPACITOR		
	C 119	NCS31HJ-221X	C CAPACITOR				C 257	NCB11CK-105X	C CAPACITOR		
	C 120	NCS31HJ-820X	C CAPACITOR				C 258	NEA70GM-107X	E CAPACITOR		
	C 121	NCS31HJ-220X	C CAPACITOR				C 259	NCB11CK-105X	C CAPACITOR		
	C 122	NCB31HK-271X	C CAPACITOR				C 260	NCB31HK-561X	C CAPACITOR		
	C 123	NCB31CK-104X	C CAPACITOR				C 261	NCB31CK-104X	C CAPACITOR		
	C 124	NCB31CK-104X	C CAPACITOR				C 262	NCB31CK-104X	C CAPACITOR		
	C 125	NCB31CK-104X	C CAPACITOR				C 263	NCB31CK-104X	C CAPACITOR		
	C 126	NEX40JM-566X	E CAPACITOR				C 264	NCB21CK-474X	C CAPACITOR		
	C 127	NCB31HK-102X	C CAPACITOR				C 271	NCB31EK-332X	C CAPACITOR		
	C 128	NCB31CK-104X	C CAPACITOR				C 272	NCB31HK-331X	C CAPACITOR		
	C 130	NCB31CK-104X	C CAPACITOR				C 276	NCB31CK-104X	C CAPACITOR		
	C 131	NCS31HJ-120X	C CAPACITOR				C 277	NCB31CK-104X	C CAPACITOR		
	C 132	NCB31CK-104X	C CAPACITOR				C 278	NCB31HK-102X	C CAPACITOR		
	C 133	NCB31HK-561X	C CAPACITOR				C 279	NCB31HK-272X	C CAPACITOR		
	C 134	NCB31HK-561X	C CAPACITOR				C 281	NCB31CK-103X	C CAPACITOR		
	C 135	NCB31CK-273X	C CAPACITOR				C 283	NCB31CK-223X	C CAPACITOR		
	C 136	NCB31CK-473X	C CAPACITOR				C 284	NCB31CK-473X	C CAPACITOR		
	C 138	NCB31CK-104X	C CAPACITOR				C 288	NCB31CK-223X	C CAPACITOR		
	C 139	NCB31CK-104X	C CAPACITOR				C 289	NCB31CK-104X	C CAPACITOR		
	C 140	NEA70JM-226X	E CAPACITOR				C 291	NCB31CK-104X	C CAPACITOR		
	C 141	NCB31CK-104X	C CAPACITOR				C 292	NEA70JM-226X	E CAPACITOR		
	C 143	NCB31CK-104X	C CAPACITOR				C 293	NEA71CM-226X	E CAPACITOR		
	C 144	NCB31CK-104X	C CAPACITOR				C 301	NCB31CK-104X	C CAPACITOR		
	C 145	NCB31CK-103X	C CAPACITOR				C 302	NCB31CK-104X	C CAPACITOR		
	C 151	NEX40JM-156X	E CAPACITOR				C 303	NCB31CK-104X	C CAPACITOR		
	C 152	NEX40JM-156X	E CAPACITOR				C 304	NCB31CK-104X	C CAPACITOR		
	C 153	NCB31CK-104X	C CAPACITOR				C 305	NCB31CK-104X	C CAPACITOR		
	C 159	NCB31CK-104X	C CAPACITOR				C 306	NCB31CK-104X	C CAPACITOR		
	C 160	NCB31CK-104X	C CAPACITOR				C 307	NCB31CK-104X	C CAPACITOR		
	C 161	NEA70GM-336X	E CAPACITOR				C 309	NCB31CK-104X	C CAPACITOR		
	C 202	NCB31HK-561X	C CAPACITOR				C 310	NCB31CK-104X	C CAPACITOR		
	C 203	NCB31HK-561X	C CAPACITOR				C 311	NCB31CK-104X	C CAPACITOR		
	C 204	NCB31HK-331X	C CAPACITOR				C 312	NCS31HJ-180X	C CAPACITOR		
	C 205	NCS31HJ-121X	C CAPACITOR				C 313	NCS31HJ-180X	C CAPACITOR		
	C 206	NCS31HJ-271X	C CAPACITOR				C 314	NCB31CK-104X	C CAPACITOR		
	C 207	NCB31HK-471X	C CAPACITOR				C 315	NCB31CK-104X	C CAPACITOR		
	C 208	NCB31CK-104X	C CAPACITOR				C 316	NEA70GM-107X	E CAPACITOR		
	C 209	NCB31HK-102X	C CAPACITOR				C 317	NCB11CK-105X	C CAPACITOR		
	C 210	NCB31HK-102X	C CAPACITOR				C 318	NCB31CK-104X	C CAPACITOR		
	C 222	NCB31HK-562X	C CAPACITOR				C 319	NCB31CK-104X	C CAPACITOR		
	C 223	NCB31HK-102X	C CAPACITOR				C 320	NCB31CK-104X	C CAPACITOR		
	C 224	NCB31CK-104X	C CAPACITOR				C 321	NCB31CK-104X	C CAPACITOR		
	C 225	NBE91CM-105X	E CAPACITOR				C 324	NCB31CK-104X	C CAPACITOR		
	C 227	NCB31HK-102X	C CAPACITOR				C 326	NCB31CK-104X	C CAPACITOR		
	C 228	NCB31HK-102X	C CAPACITOR				C 327	NEA70GM-107X	E CAPACITOR		

■ Electrical parts list (DVD servo board)

Block No. 03

Item	Parts number	Parts name	Remarks	Area
C 341	NCB31CK-104X	C CAPACITOR		
C 342	NCB31CK-104X	C CAPACITOR		
C 343	NCB31CK-104X	C CAPACITOR		
C 344	NCB31CK-104X	C CAPACITOR		
C 345	NEA70JM-107X	E.CAPACITOR		
C 346	NCB11CK-105X	C CAPACITOR		
C 373	NCB31CK-104X	C CAPACITOR		
C 401	NCB31CK-104X	C CAPACITOR		
C 402	NCB31CK-104X	C CAPACITOR		
C 405	NCB31CK-104X	C CAPACITOR		
C 406	NCB31CK-104X	C CAPACITOR		
C 407	NCB31CK-104X	C CAPACITOR		
C 408	NEA70JM-226X	E CAPACITOR		
C 409	NCB31CK-104X	C CAPACITOR		
C 411	NCB31CK-104X	C CAPACITOR		
C 412	NCB31CK-104X	C CAPACITOR		
C 501	NCB31CK-104X	C CAPACITOR		
C 502	NCB31CK-104X	C CAPACITOR		
C 503	NCB31CK-104X	C CAPACITOR		
C 504	NCB31CK-104X	C CAPACITOR		
C 505	NCB31CK-104X	C CAPACITOR		
C 506	NCB31CK-104X	C CAPACITOR		
C 507	NCB31CK-104X	C CAPACITOR		
C 508	NCB31CK-104X	C CAPACITOR		
C 509	NCB31CK-104X	C CAPACITOR		
C 510	NCB31CK-104X	C CAPACITOR		
C 511	NCB31CK-104X	C CAPACITOR		
C 512	NCB31CK-104X	C CAPACITOR		
C 513	NCB31CK-104X	C CAPACITOR		
C 514	NCB31CK-104X	C CAPACITOR		
C 515	NCB31CK-104X	C CAPACITOR		
C 516	NCB31CK-104X	C CAPACITOR		
C 517	NCB31CK-104X	C CAPACITOR		
C 518	NCB31CK-104X	C CAPACITOR		
C 519	NCB31CK-104X	C CAPACITOR		
C 520	NCB31CK-104X	C CAPACITOR		
C 521	NCB31CK-104X	C CAPACITOR		
C 522	NCB31CK-104X	C CAPACITOR		
C 523	NCB31CK-104X	C CAPACITOR		
C 524	NCB31CK-104X	C CAPACITOR		
C 525	NCB31CK-104X	C CAPACITOR		
C 526	NCB31CK-104X	C CAPACITOR		
C 527	NCB31CK-104X	C CAPACITOR		
C 528	NCB31CK-104X	C CAPACITOR		
C 529	NCB31CK-104X	C CAPACITOR		
C 530	NEA70JM-107X	E CAPACITOR		
C 531	NCB31CK-104X	C CAPACITOR		
C 532	NCB31CK-104X	C CAPACITOR		
C 533	NCB31CK-104X	C CAPACITOR		
C 534	NEA70JM-107X	E CAPACITOR		
C 535	NCB31CK-104X	C CAPACITOR		
C 536	NCB31CK-103X	C CAPACITOR		
C 537	NEA70JM-226X	E CAPACITOR		
C 538	NCB31CK-104X	C CAPACITOR		
C 539	NCB31CK-104X	C CAPACITOR		
C 540	NEA70JM-226X	E CAPACITOR		
C 541	NCB31CK-104X	C CAPACITOR		
C 542	NEA70JM-226X	E CAPACITOR		
C 543	NCB31CK-104X	C CAPACITOR		
C 556	NEA70JM-107X	E CAPACITOR		
C 557	NCB31CK-104X	C CAPACITOR		
C 561	NCB31CK-104X	C CAPACITOR		
C 562	NEA70JM-226X	E CAPACITOR		
C 563	NCB31CK-104X	C CAPACITOR		

Item	Parts number	Parts name	Remarks	Area
C 564	NCB31CK-104X	C CAPACITOR		
C 565	NCB31CK-104X	C CAPACITOR		
C 566	NCB31CK-104X	C CAPACITOR		
C 567	NEA70JM-226X	E CAPACITOR		
C 568	NCB31CK-104X	C CAPACITOR		
C 569	NEA70JM-226X	E CAPACITOR		
C 570	NCB31CK-104X	C CAPACITOR		
CN101	QGF0501F3-40X	FFC/FPC CONNE	PU	
CN501	QGB2027L1-10X	W TO B CONNE	POWER	
CN502	QGB2027L1-22X	CONNECTOR	SYSTEM	
CN503	QGB2027L1-10X	W TO B CONNE	VIDEO	
D 501	1SR154-400-X	DIODE		
D 551	1SS355-X	DIODE		
D 552	1SS355-X	DIODE		
IC 1	RN5RZ33BA-X	IC		
IC101	AN8702FH	IC		
IC102	RN5RZ33BA-X	IC		
IC201	MN67706ZY	IC		
IC202	TC7WT125FU-X	IC(DIGITAL)		
IC271	M56788FP-W	IC		
IC301	MN103S13BDA	IC		
IC311	TC7SH08FU-X	IC		
IC312	TC7SH32FU-X	IC		
IC321	TC7WH74FU-X	IC		
IC322	TC74VHC00FT-X	IC		
IC401	MN102L25GDZ3	IC	OTP	
IC402	MSM531622F83G-X	IC		
IC403	AK93C65AF-X	IC		
IC501	ZIVA3-PE0	IC		
IC502	NAX0393-001X	CXO C.M	27MHZ	
IC503	TC74VHC00FT-X	IC		
IC504	HY57V161610DTC8	IC		
IC505	HY57V161610DTC8	IC		
IC554	MC44724AVFU	IC		
K 102	NQR0007-002X	FERRITE BEADS		
K 103	NQR0007-002X	FERRITE BEADS		
K 201	NQR0007-002X	FERRITE BEADS		
K 202	NQR0007-002X	FERRITE BEADS		
K 203	NQR0007-002X	FERRITE BEADS		
K 301	NQR0007-002X	FERRITE BEADS		
K 302	NQR0007-002X	FERRITE BEADS		
K 303	NQR0007-002X	FERRITE BEADS		
K 401	NQR0007-002X	FERRITE BEADS		
K 402	NQR0007-002X	FERRITE BEADS		
K 501	NQR0007-002X	FERRITE BEADS		
K 502	NQR0007-002X	FERRITE BEADS		
K 503	NQR0007-002X	FERRITE BEADS		
K 504	NQR0201-001X	FERRITE BEADS		
K 505	NQR0269-001X	FERRITE BEADS		
K 506	NQR0007-002X	FERRITE BEADS		
K 507	NQR0007-002X	FERRITE BEADS		
K 550	NQR0007-002X	FERRITE BEADS		
K 551	NQR0007-002X	FERRITE BEADS		
K 553	NQR0007-002X	FERRITE BEADS		
K 554	NQR0007-002X	FERRITE BEADS		
K 555	NQR0007-002X	FERRITE BEADS		
K 556	NQR0007-002X	FERRITE BEADS		
K 557	NQR0007-002X	FERRITE BEADS		
K 558	NQR0007-002X	FERRITE BEADS		
K 559	NQR0007-002X	FERRITE BEADS		
K 561	NQR0007-002X	FERRITE BEADS		
K 562	NQR0007-002X	FERRITE BEADS		
K 563	NQR0007-002X	FERRITE BEADS		
K 564	NQR0007-002X	FERRITE BEADS		

■ Electrical parts list (DVD servo board)

Block No. 03

△	Item	Parts number	Parts name	Remarks	Area	△	Item	Parts number	Parts name	Remarks	Area
	K 565	NQR0007-002X	FERRITE BEADS				R 212	NRSA63J-273X	MG RESISTOR		
	K 566	NQR0007-002X	FERRITE BEADS				R 213	NRSA63J-562X	MG RESISTOR		
	K 567	NQR0007-002X	FERRITE BEADS				R 214	NRSA63J-123X	MG RESISTOR		
	K 568	NQR0007-002X	FERRITE BEADS				R 215	NRSA63J-105X	MG RESISTOR		
	K 569	NQR0007-002X	FERRITE BEADS				R 218	NRSA63J-153X	MG RESISTOR		
	K 570	NQR0007-002X	FERRITE BEADS				R 219	NRSA63J-473X	MG RESISTOR		
	K 571	NQR0007-002X	FERRITE BEADS				R 220	NRSA63J-473X	MG RESISTOR		
	K 572	NQR0007-002X	FERRITE BEADS				R 223	NRSA63J-473X	MG RESISTOR		
	K 574	NQR0007-002X	FERRITE BEADS				R 224	NRSA63J-0R0X	MG RESISTOR		
	K 575	NQR0007-002X	FERRITE BEADS				R 225	NRSA63J-682X	MG RESISTOR		
	K 576	NQR0007-002X	FERRITE BEADS				R 227	NRSA63J-102X	MG RESISTOR		
	K 577	NQR0007-002X	FERRITE BEADS				R 228	NRSA63J-183X	MG RESISTOR		
	K 578	NQR0007-002X	FERRITE BEADS				R 229	NRSA63J-273X	MG RESISTOR		
	K 579	NQR0007-002X	FERRITE BEADS				R 230	NRSA63J-273X	MG RESISTOR		
	L 1	NQL044K-100X	INDUCTOR				R 232	NRSA63J-472X	MG RESISTOR		
	Q 1	2SD2150/RS/-W	POW TRANSISTOR				R 233	NRSA63J-472X	MG RESISTOR		
	Q 101	2SB1424/QR/-X	TRANSISTOR				R 234	NRSA63J-472X	MG RESISTOR		
	Q 102	2SB1424/QR/-X	TRANSISTOR				R 235	NRSA63J-0R0X	MG RESISTOR		
	Q 275	DTC144EE-X	TRANSISTOR				R 237	NRSA63J-221X	MG RESISTOR		
	R 1	NRSA63J-100X	MG RESISTOR				R 238	NRSA63J-221X	MG RESISTOR		
	R 103	NRS125J-270X	MG RESISTOR				R 239	NRSA63J-221X	MG RESISTOR		
	R 104	NRS125J-270X	MG RESISTOR				R 240	NRSA63J-221X	MG RESISTOR		
	R 107	NRSA63J-0R0X	MG RESISTOR				R 241	NRSA63J-221X	MG RESISTOR		
	R 108	NRSA63J-183X	MG RESISTOR				R 242	NRSA63J-102X	MG RESISTOR		
	R 109	NRSA63J-0R0X	MG RESISTOR				R 243	NRSA63J-102X	MG RESISTOR		
	R 110	NRSA63J-273X	MG RESISTOR				R 244	NRSA63J-102X	MG RESISTOR		
	R 111	NRSA63J-0R0X	MG RESISTOR				R 245	NRSA63J-102X	MG RESISTOR		
	R 112	NRSA63J-273X	MG RESISTOR				R 246	NRSA63J-102X	MG RESISTOR		
	R 113	NRSA63J-682X	MG RESISTOR				R 248	NRSA63J-473X	MG RESISTOR		
	R 114	NRSA63J-102X	MG RESISTOR				R 249	NRSA63J-473X	MG RESISTOR		
	R 115	NRVA63D-243X	MG RESISTOR				R 250	NRSA63J-473X	MG RESISTOR		
	R 116	NRSA63J-393X	MG RESISTOR				R 253	NRS125J-4R7X	MG RESISTOR		
	R 117	NRSA63J-123X	MG RESISTOR				R 255	NRSA63J-123X	MG RESISTOR		
	R 118	NRSA63J-223X	MG RESISTOR				R 256	NRSA63J-0R0X	MG RESISTOR		
	R 121	NRSA63J-0R0X	MG RESISTOR				R 257	NRSA63J-0R0X	MG RESISTOR		
	R 122	NRSA63J-0R0X	MG RESISTOR				R 271	NRSA63J-563X	MG RESISTOR		
	R 123	NRSA63J-0R0X	MG RESISTOR				R 272	NRSA63J-103X	MG RESISTOR		
	R 124	NRSA63J-0R0X	MG RESISTOR				R 273	NRS125J-1R0X	MG RESISTOR		
	R 125	NRSA63J-0R0X	MG RESISTOR				R 274	NRSA63J-0R0X	MG RESISTOR		
	R 126	NRSA63J-0R0X	MG RESISTOR				R 275	NRSA63J-103X	MG RESISTOR		
	R 127	NRSA63J-222X	MG RESISTOR				R 276	NRSA63J-103X	MG RESISTOR		
	R 128	NRSA63J-105X	MG RESISTOR				R 277	NRSA63J-103X	MG RESISTOR		
	R 129	NRSA63J-105X	MG RESISTOR				R 278	NRSA63J-103X	MG RESISTOR		
	R 131	NRSA63J-822X	MG RESISTOR				R 279	NRSA63J-103X	MG RESISTOR		
	R 132	NRSA63J-103X	MG RESISTOR				R 280	NRSA63J-103X	MG RESISTOR		
	R 144	NRSA63J-333X	MG RESISTOR				R 282	NRSA63J-103X	MG RESISTOR		
	R 145	NRSA63J-103X	MG RESISTOR				R 283	NRSA63J-103X	MG RESISTOR		
	R 152	NRS125J-1R0X	MG RESISTOR				R 284	NRSA63J-472X	MG RESISTOR		
	R 153	NRS125J-4R7X	MG RESISTOR				R 285	NRSA63J-103X	MG RESISTOR		
	R 155	NRSA63J-0R0X	MG RESISTOR				R 286	NRSA63J-103X	MG RESISTOR		
	R 156	NRSA63J-333X	MG RESISTOR				R 287	NRSA63J-103X	MG RESISTOR		
	R 160	NRSA63J-0R0X	MG RESISTOR				R 288	NRSA63J-103X	MG RESISTOR		
	R 161	NRSA63J-0R0X	MG RESISTOR				R 289	NRSA63J-103X	MG RESISTOR		
	R 162	NRSA63J-0R0X	MG RESISTOR				R 290	NRSA63J-103X	MG RESISTOR		
	R 163	NRSA63J-0R0X	MG RESISTOR				R 292	NRSA63J-223X	MG RESISTOR		
	R 166	NRSA63J-182X	MG RESISTOR				R 295	NRSA63J-103X	MG RESISTOR		
	R 202	NRSA63J-473X	MG RESISTOR				R 296	NRSA63J-103X	MG RESISTOR		
	R 203	NRSA63J-473X	MG RESISTOR				R 297	NRS125J-1R0X	MG RESISTOR		
	R 204	NRSA63J-473X	MG RESISTOR				R 301	NRSA63J-473X	MG RESISTOR		
	R 205	NRSA63J-473X	MG RESISTOR				R 302	NRSA63J-473X	MG RESISTOR		
	R 208	NRSA63J-473X	MG RESISTOR				R 303	NRSA63J-473X	MG RESISTOR		
	R 209	NRSA63J-123X	MG RESISTOR				R 304	NRSA63J-473X	MG RESISTOR		
	R 210	NRSA63J-473X	MG RESISTOR				R 305	NRSA63J-473X	MG RESISTOR		
	R 211	NRSA63J-273X	MG RESISTOR				R 306	NRSA63J-473X	MG RESISTOR		

■ Electrical parts list (DVD servo board)

Block No. 03

△	Item	Parts number	Parts name	Remarks	Area
	R 307	NRSA63J-473X	MG RESISTOR		
	R 308	NRSA63J-473X	MG RESISTOR		
	R 309	NRSA63J-103X	MG RESISTOR		
	R 310	NRSA63J-102X	MG RESISTOR		
	R 311	NRSA63J-102X	MG RESISTOR		
	R 312	NRSA63J-102X	MG RESISTOR		
	R 316	NRSA63J-105X	MG RESISTOR		
	R 317	NRSA63J-0R0X	MG RESISTOR		
	R 318	NRSA63J-0R0X	MG RESISTOR		
	R 322	NRSA63J-473X	MG RESISTOR		
	R 324	NRSA63J-473X	MG RESISTOR		
	R 328	NRSA63J-473X	MG RESISTOR		
	R 342	NRSA63J-0R0X	MG RESISTOR		
	R 343	NRSA63J-102X	MG RESISTOR		
	R 345	NRSA63J-562X	MG RESISTOR		
	R 346	NRSA63J-472X	MG RESISTOR		
	R 347	NRSA63J-102X	MG RESISTOR		
	R 348	NRSA63J-102X	MG RESISTOR		
	R 349	NRSA63J-102X	MG RESISTOR		
	R 350	NRSA63J-102X	MG RESISTOR		
	R 364	NRSA63J-0R0X	MG RESISTOR		
	R 403	NRSA63J-472X	MG RESISTOR		
	R 405	NRSA63J-472X	MG RESISTOR		
	R 408	NRSA63J-472X	MG RESISTOR		
	R 410	NRSA63J-0R0X	MG RESISTOR		
	R 411	NRSA63J-472X	MG RESISTOR		
	R 412	NRSA63J-103X	MG RESISTOR		
	R 413	NRSA63J-472X	MG RESISTOR		
	R 414	NRSA63J-472X	MG RESISTOR		
	R 415	NRSA63J-472X	MG RESISTOR		
	R 416	NRSA63J-472X	MG RESISTOR		
	R 417	NRSA63J-472X	MG RESISTOR		
	R 418	NRSA63J-472X	MG RESISTOR		
	R 422	NRSA63J-0R0X	MG RESISTOR		
	R 423	NRSA63J-0R0X	MG RESISTOR	XV-525BK/521BK/523GD	
	R 424	NRSA63J-0R0X	MG RESISTOR	XV-525BK/521BK/523GD	
	R 431	NRSA63J-472X	MG RESISTOR		
	R 432	NRSA63J-472X	MG RESISTOR		
	R 501	NRSA63J-102X	MG RESISTOR		
	R 502	NRSA63J-222X	MG RESISTOR		
	R 504	NRSA63J-330X	MG RESISTOR		
	R 505	NRSA63J-330X	MG RESISTOR		
	R 506	NRSA63J-330X	MG RESISTOR		
	R 507	NRSA63J-330X	MG RESISTOR		
	R 508	NRSA63J-330X	MG RESISTOR		
	R 509	NRSA63J-330X	MG RESISTOR		
	R 510	NRSA63J-330X	MG RESISTOR		
	R 511	NRSA63J-330X	MG RESISTOR		
	R 512	NRSA63J-330X	MG RESISTOR		
	R 513	NRSA63J-330X	MG RESISTOR		
	R 514	NRSA63J-330X	MG RESISTOR		
	R 515	NRSA63J-330X	MG RESISTOR		
	R 516	NRSA63J-330X	MG RESISTOR		
	R 517	NRSA63J-330X	MG RESISTOR		
	R 518	NRSA63J-330X	MG RESISTOR		
	R 519	NRSA63J-330X	MG RESISTOR		
	R 520	NRSA63J-330X	MG RESISTOR		
	R 521	NRSA63J-330X	MG RESISTOR		
	R 522	NRSA63J-330X	MG RESISTOR		
	R 523	NRSA63J-181X	MG RESISTOR		
	R 524	NRSA63J-181X	MG RESISTOR		
	R 525	NRSA63J-181X	MG RESISTOR		
	R 526	NRSA63J-181X	MG RESISTOR		
	R 527	NRSA63J-181X	MG RESISTOR		

△	Item	Parts number	Parts name	Remarks	Area
	R 528	NRSA63J-181X	MG RESISTOR		
	R 529	NRSA63J-181X	MG RESISTOR		
	R 530	NRSA63J-181X	MG RESISTOR		
	R 531	NRSA63J-330X	MG RESISTOR		
	R 532	NRSA63J-0R0X	MG RESISTOR		
	R 533	NRSA63J-330X	MG RESISTOR		
	R 534	NRSA63J-330X	MG RESISTOR		
	R 535	NRSA63J-330X	MG RESISTOR		
	R 536	NRSA63J-330X	MG RESISTOR		
	R 537	NRSA63J-330X	MG RESISTOR		
	R 538	NRSA63J-330X	MG RESISTOR		
	R 539	NRSA63J-330X	MG RESISTOR		
	R 540	NRSA63J-330X	MG RESISTOR		
	R 541	NRSA63J-0R0X	MG RESISTOR		
	R 542	NRSA63J-0R0X	MG RESISTOR		
	R 543	NRSA63J-0R0X	MG RESISTOR		
	R 544	NRSA63J-0R0X	MG RESISTOR		
	R 545	NRSA63J-472X	MG RESISTOR		
	R 547	NRSA63J-222X	MG RESISTOR		
	R 548	NRSA63J-332X	MG RESISTOR		
	R 550	NRSA63J-0R0X	MG RESISTOR		
	R 564	NRVA63D-152X	MG RESISTOR		
	R 565	NRVA63D-332X	MF RESISTOR		
	R 571	NRSA63J-100X	MG RESISTOR		
	R 572	NRSA63J-181X	MG RESISTOR		
	R 573	NRSA63J-181X	MG RESISTOR		
	R 574	NRSA63J-181X	MG RESISTOR		
	R 575	NRSA63J-181X	MG RESISTOR		
	R 576	NRSA63J-181X	MG RESISTOR		
	R 577	NRSA63J-181X	MG RESISTOR		
	R 578	NRSA63J-181X	MG RESISTOR		
	R 579	NRSA63J-181X	MG RESISTOR		
	R 580	NRSA63J-181X	MG RESISTOR		
	R 581	NRSA63J-101X	MG RESISTOR		
	R 582	NRSA63J-181X	MG RESISTOR		
	R 586	NRVA63D-122X	MG RESISTOR		
	R 587	NRVA63D-122X	MG RESISTOR		
	R 588	NRVA63D-102X	CMF RESISTOR		
	R 589	NRVA63D-102X	CMF RESISTOR		
	X 301	NAX0375-001X	CRYSTAL	16.9344MHZ	
	X 401	NAX0331-001X	C RESONATOR		

■ Electrical parts list (Relay board)

Block No. 04

△	Item	Parts number	Parts name	Remarks	Area
	C 13	NCS31HJ-101X	C CAPACITOR		
	CN 10	QGF0501F4-40X	FFC/FPC CONNE	FOR MAIN	
	CN 12	QGF1012F1-30X	FPC CONNE	FOR P.U	
	IC 1	GP2S60B-X	IC(PHOTO COUPLE		
	K 10	NQR0265-003X	FERRITE BEADS		
	K 11	NQR0265-003X	FERRITE BEADS		
	K 12	NQR0265-003X	FERRITE BEADS		
	K 13	NQR0265-003X	FERRITE BEADS		
	K 14	NQR0265-003X	FERRITE BEADS		
	K 15	NQR0265-003X	FERRITE BEADS		
	K 16	NQR0265-003X	FERRITE BEADS		
	K 17	NQR0265-003X	FERRITE BEADS		
	K 18	NQR0265-003X	FERRITE BEADS		
	R 10	NRSA63J-391X	MG RESISTOR		
	R 11	NRSA63J-910X	MG RESISTOR		
	R 12	NRSA63J-911X	MG RESISTOR		
	S 10	QSW0620-001	SWITCH	REST SWITCH	
	S 11	NSW0127-001X	SLIDE SWITCH	SHORT SWITCH	

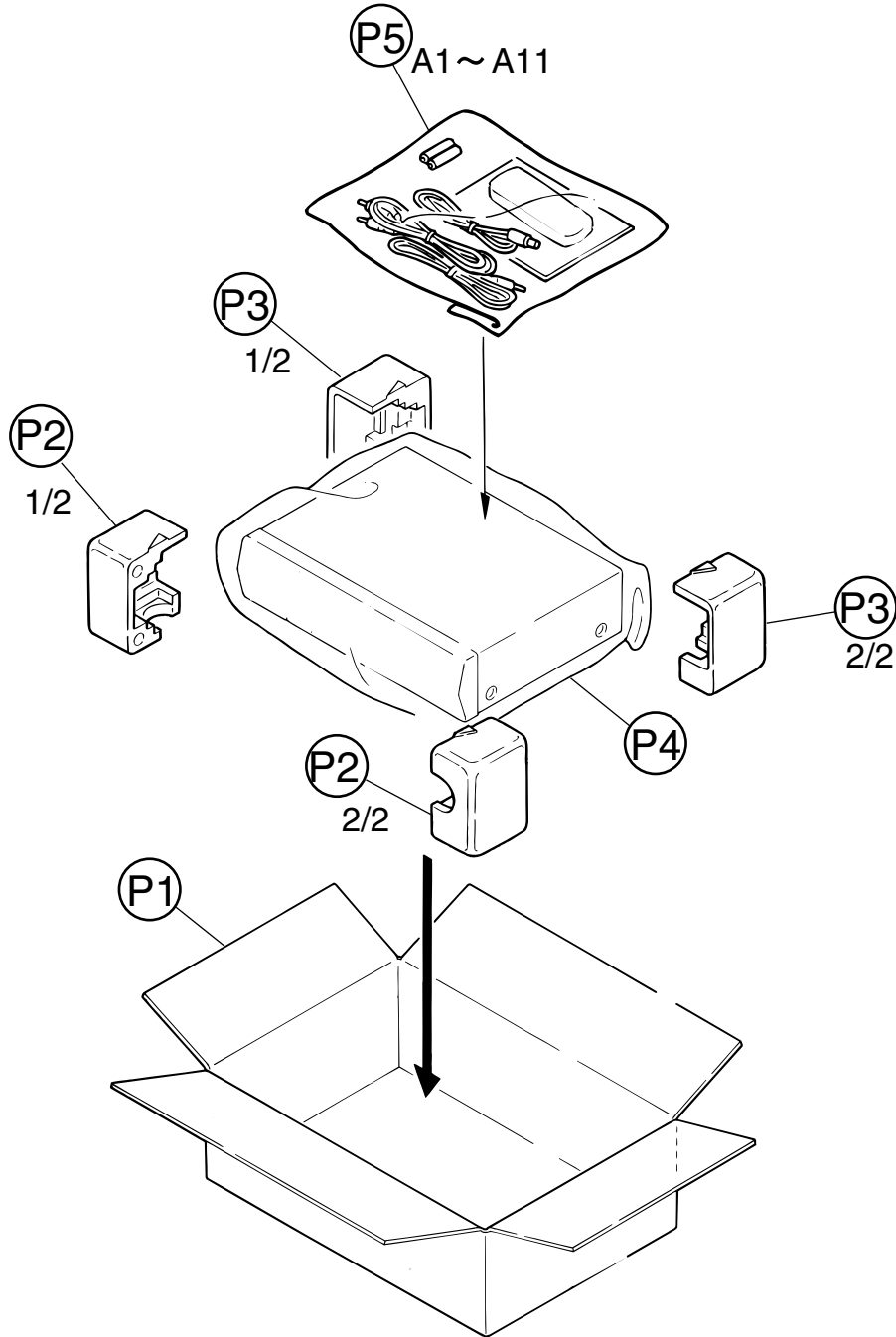
Packing materials and accessories parts list

Block No.

M	4	M	M
---	---	---	---

Block No.

M	5	M	M
---	---	---	---



■ Packing parts list

Block No. M4MM

△	Item	Parts number	Parts name	Q'ty	Description	Area
	P 1	LV20708-010A	PACKING CASE	1	XV-521BK	
		LV20710-001A	PACKING CASE	1	XV-421BK	
		LV20709-002A	PACKING CASE	1	XV-525BK	
		LV20711-011A	PACKING CASE	1	XV-523GD	
	P 2	LV20699-001A	CUSHION(F)	1		
	P 3	LV20700-001A	CUSHION(R)	1		
	P 4	QPC06506515P	POLY BAG	1	FOR SET	
	P 5	QPC02504015P	POLY BAG	1	FOR ACC,INST	

■ Accessories list

Block No. M5MM

△	Item	Parts number	Parts name	Q'ty	Description	Area
	A 1	LVT0435-001B	INST.BOOK	1	ENG	J
		LVT0435-002A	INST.BOOK	1	ENG	C
△	A 2	QMPE090-183-JD	POWER CORD	1		
	A 3	BT-51020-2	REGIST CARD	1		J
	A 4	YU20333	SAFETY INST.	1		J
	A 5	PEAC0359-120	AV CORD 3P	1	AV CORD	
	A 6	QAM0005-002	S-VIDEO CORD	1	S-VIDEO	
	A 7	EWP805-014	1P PLUG CORD	1	XV-525BK/521BK/523GD	
	A 8	RM-SXV521J	W.LESS REMOCON	1	XV-521BK/421BK	
		RM-SXV523J	W.LESS REMOCON	1	XV-523GD	
		RM-SXV525J	W.LESS REMOCON	1	XV-525BK	
	A 9	-----	BATTERY	1	FOR REMOCON	
	A 10	BT-52004-1	WARRANTY CARD	1		C
	A 11	BT-20071B	SERVICE NETWORK	1		C